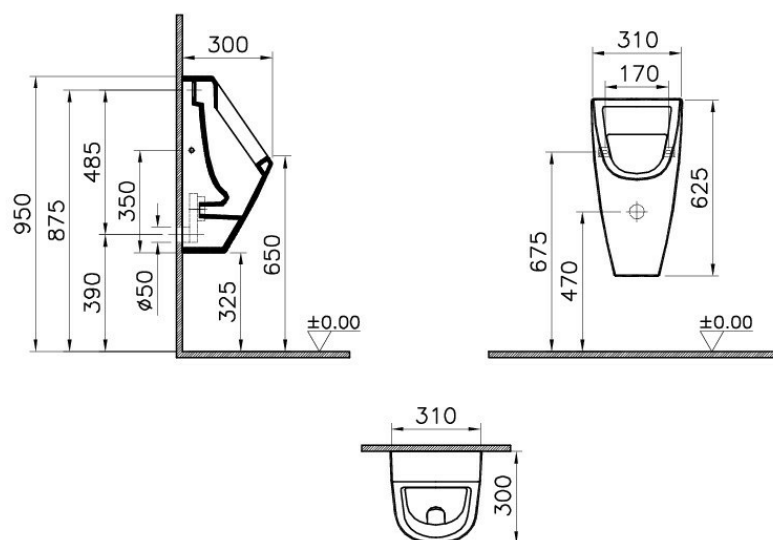


Description S20 Urinal Top Water Inlet, Back Outlet

Code	5462B003-1069
Product Properties	Water Saving
Connection Type	Top Water Inlet
Bream	7
DGNB	5
EPD	Yes
Leed	9
Material	Ceramic
Water Saving Amount	5
VitrAclean	No
Colour	White



VitrA retains the right to change details about the products and technical specifications without prior notice.