

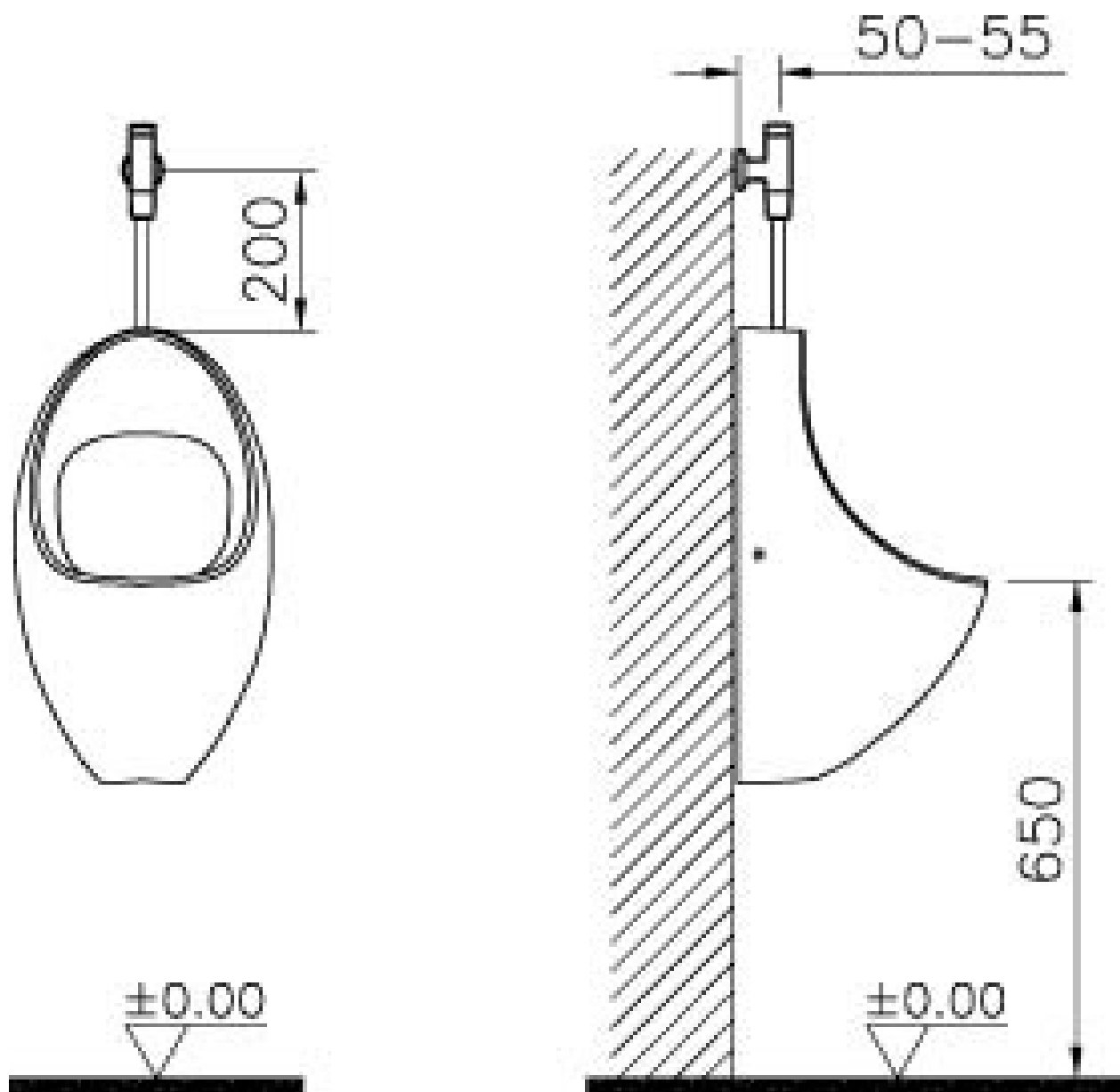
□

Description Urinal Flusher

Code 311-2521

Washing Option 1 lt

Colour Chrome



VitrA retains the right to change details about the products and technical specifications without prior notice.