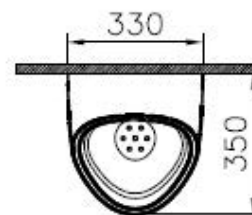
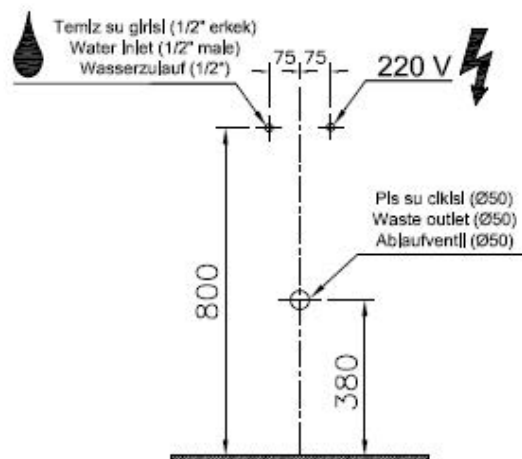
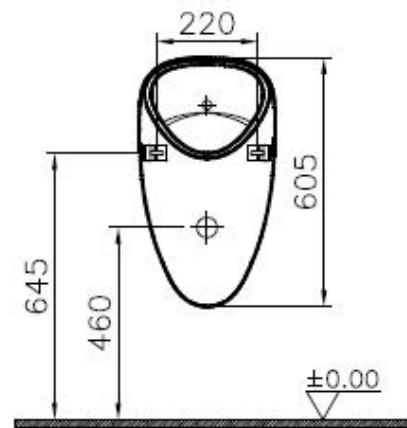
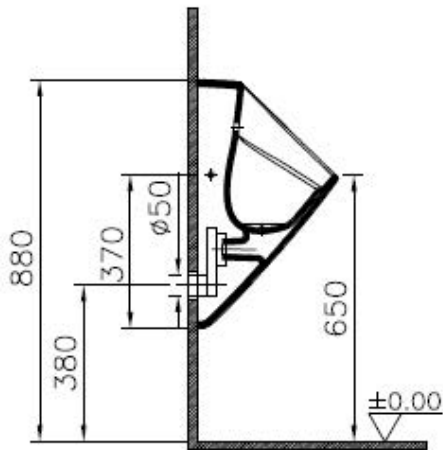


# Plural

Description "Plural Urinal with integrated flushing mechanism Back inlet, mains operated"

Code 7808B001-5331

Colour Matt White



VitrA retains the right to change details about the products and technical specifications without prior notice.