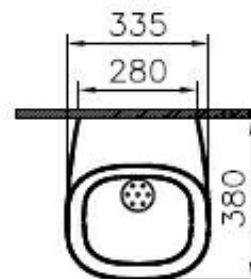
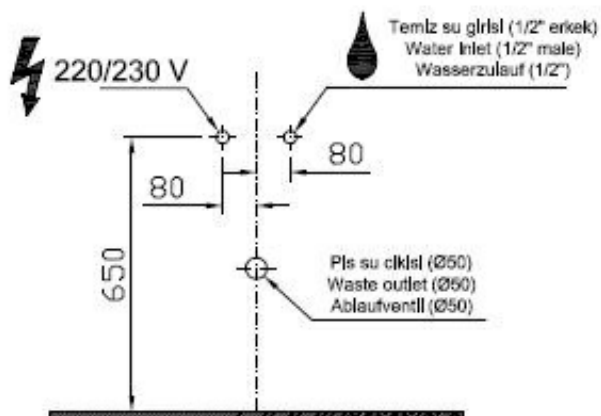
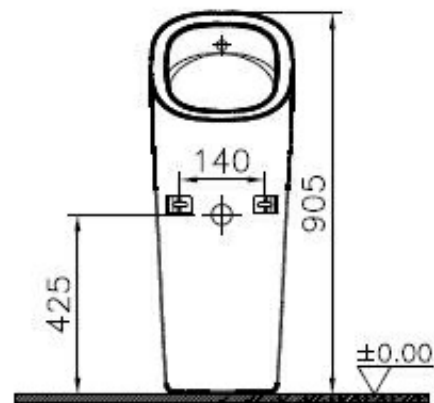
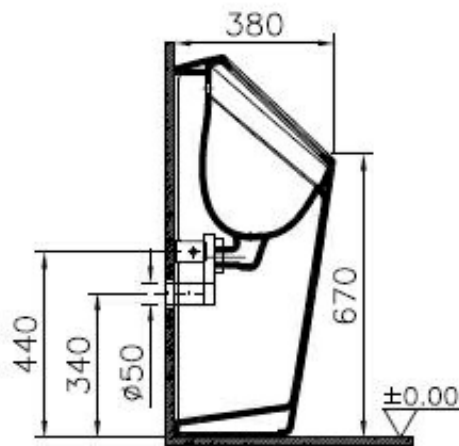


Plural

Description "Plural Monoblock urinal with integrated flushing mechanism Back inlet, mains operated"

Code 7809B003-5331

Colour White



VitrA retains the right to change details about the products and technical specifications without prior notice.